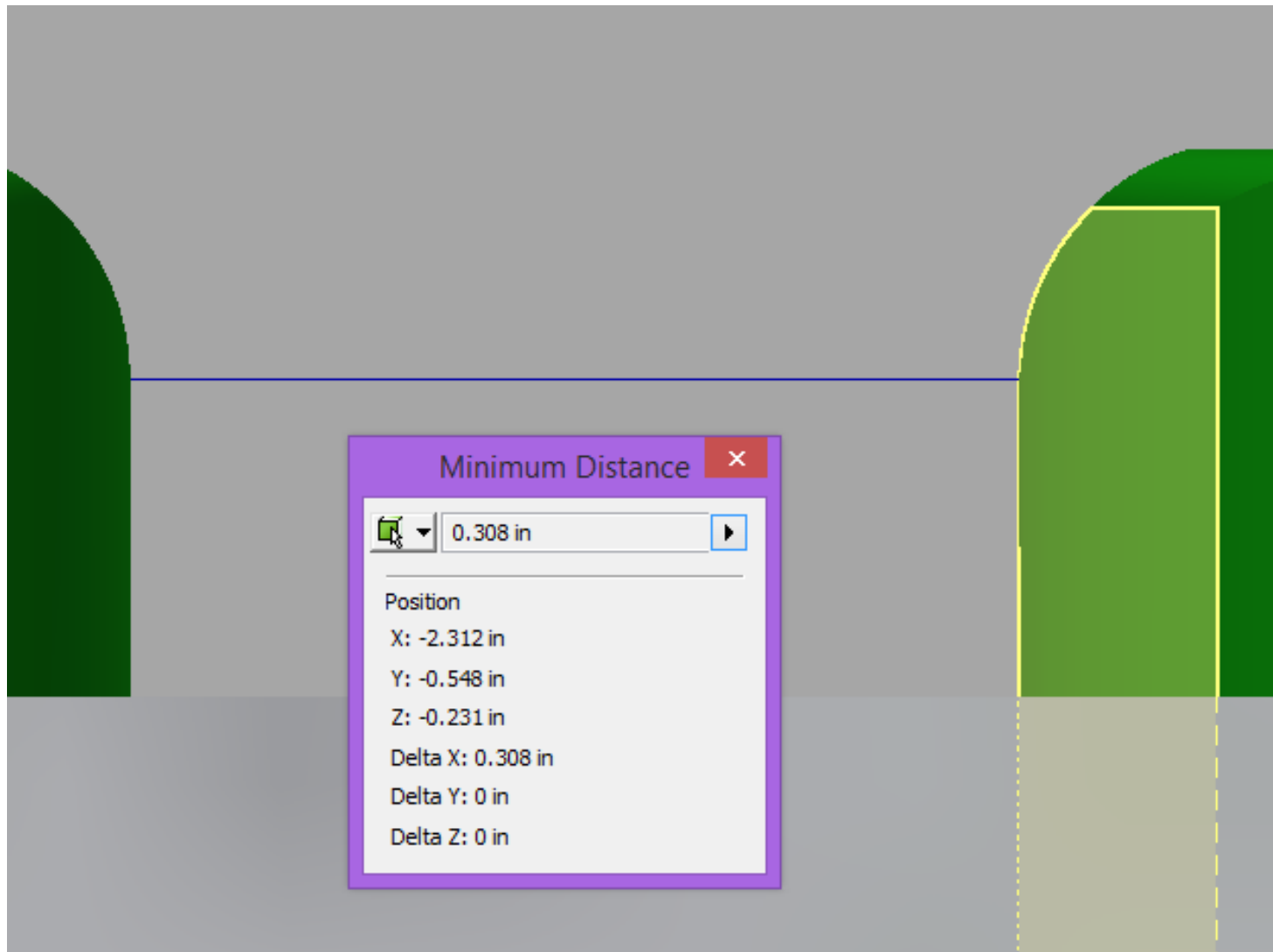


PRECISION TOOLING BALL WILL LOCATE AND HOLD DOWN THE LID.



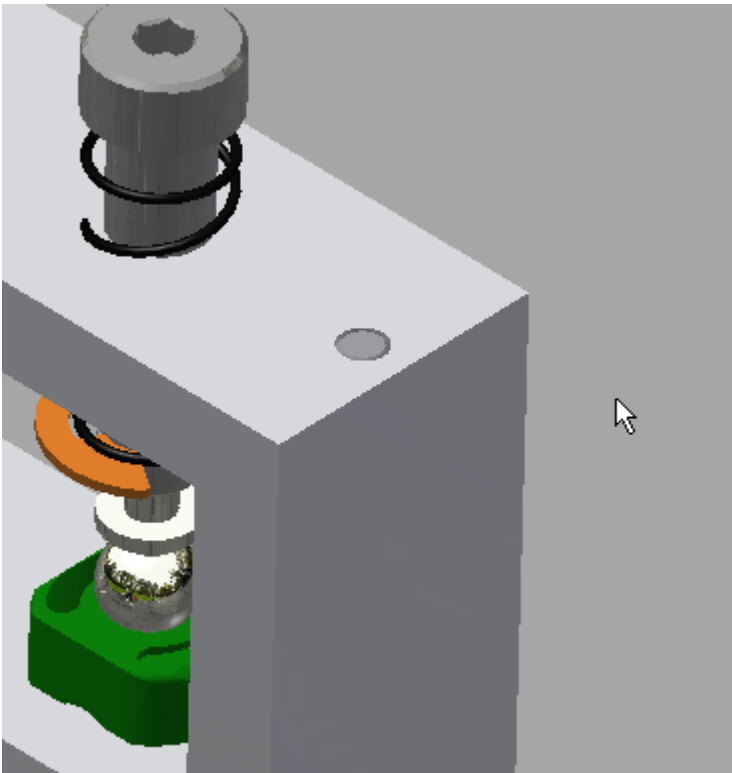
SUFFICIENT DISTANCE APART SHOULD ALLOW FOR LARGER PART TO FIT INTO THE SAME CARRIAGE DESIGN.



LID PRESS FIT WITH 1/8" DOWEL

DOWEL

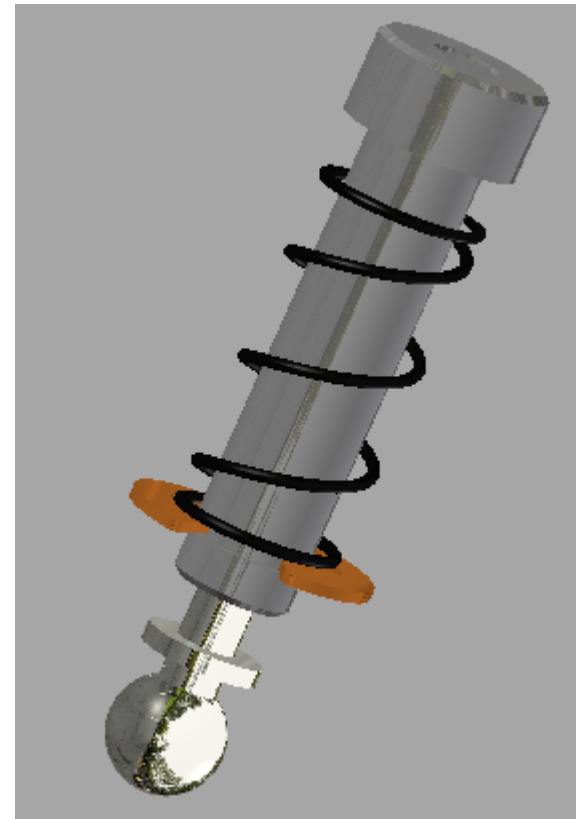
<http://www.mcmaster.com/#97395a445/=tlvrek>

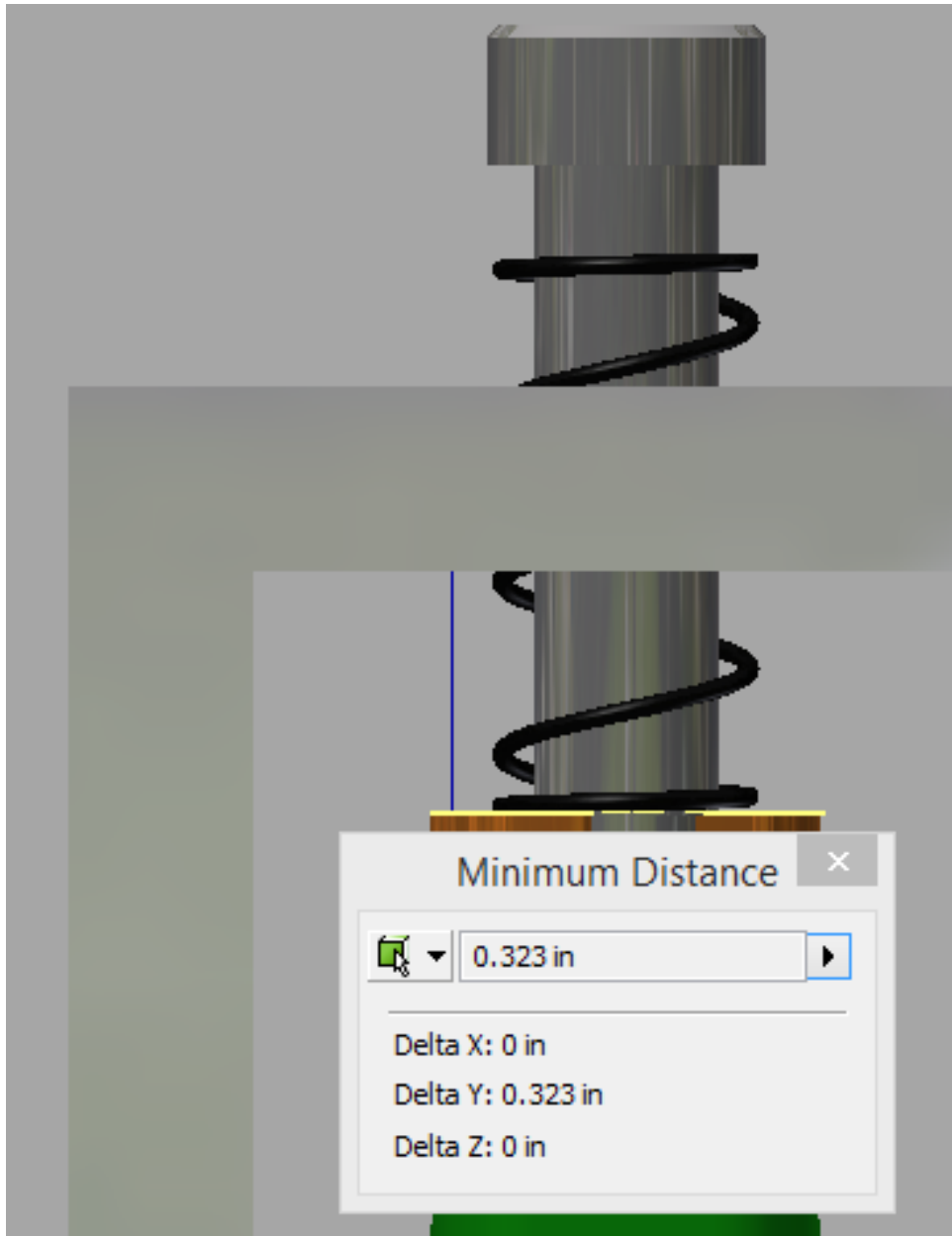


SPRINGS SHOWN IN UNCOMPRESSED STATE

SPRING

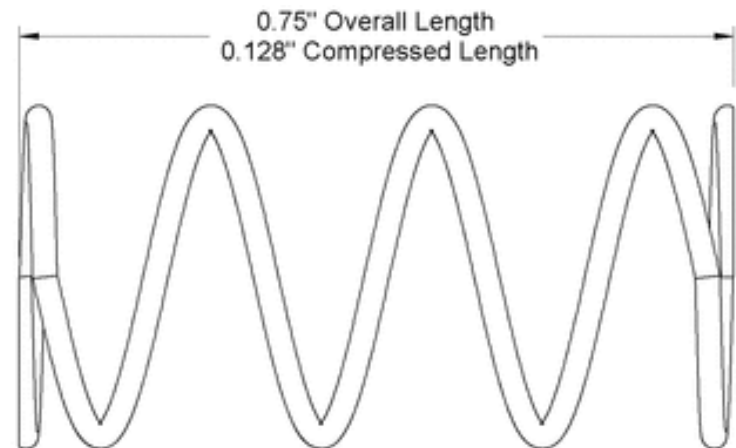
<http://www.mcmaster.com/#9001t25/=tlvrkk>



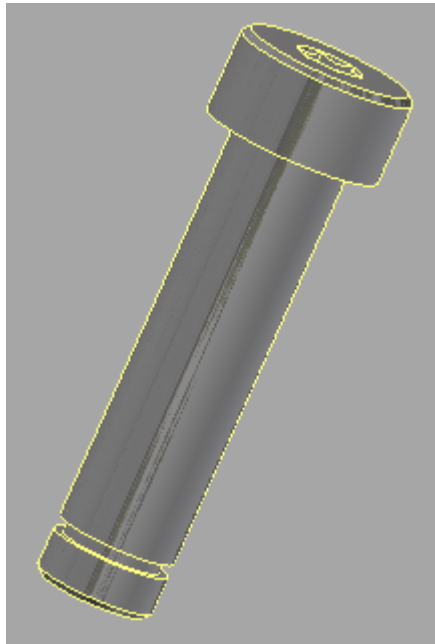


.128" WHILE
COMPRESSED SPRING
.75" FULL LENGTH

6.00 lbs./inch SPRING
SHOULD PROVIDE MORE
THAN ENOUGH PUSH ON
THE LID TO KEEP IT IN
PLACE.



INTERNALLY THREADED SHOULDER BOLT
NOTCHED TO ACCOMODATE E CLIP



SHOULDER BOLT

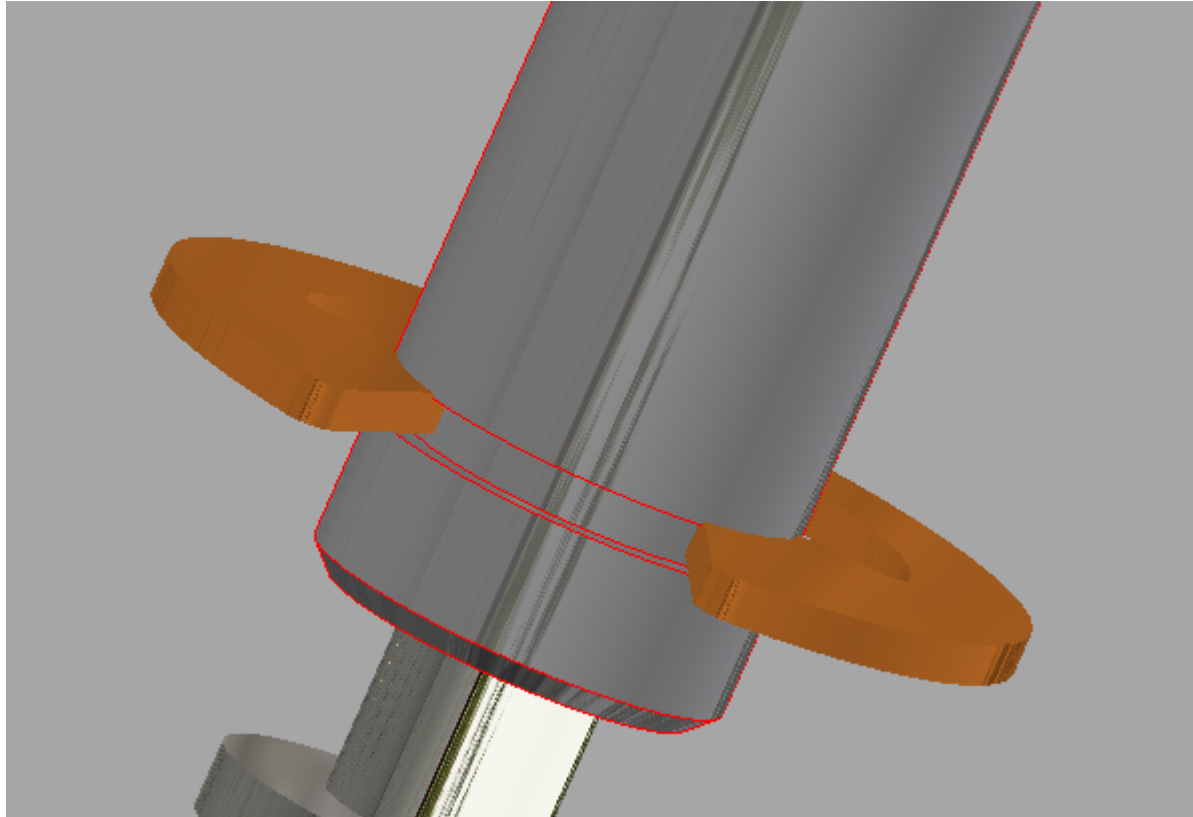
<http://www.mcmaster.com/#96655a113/=tlvru8>

1/8" DIAMETER SHANK
THREADED TO 4-40



TOOLING BALL

<http://www.mcmaster.com/#8481a25/=tlvw7y>



ECLIP

<http://www.mcmaster.com/#97431a300/=tlvrob>